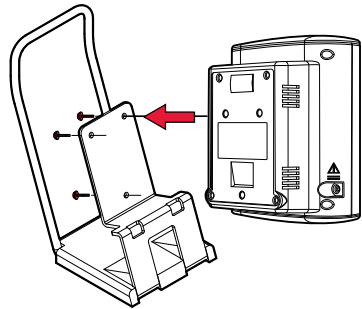


All SunTech 247 device configurations can be mounted in the following ways:

On a Tabletop

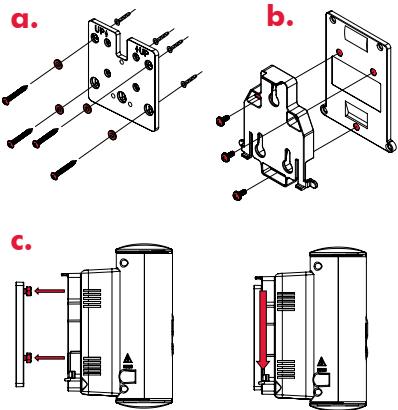
1a.



Using the thumb screws, secure the rear panel of the BP device to the stand.

On a Wall

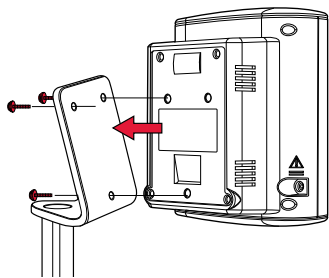
1b.



a. Attach the bracket to the wall using 4 wall screws.
b. Attach the wall bracket adapter to the rear panel of the BP device using the 3 screws.
c. Position the adapter onto the rivets of the wall bracket and slide the device down until it locks into place.

On a Mobile Stand

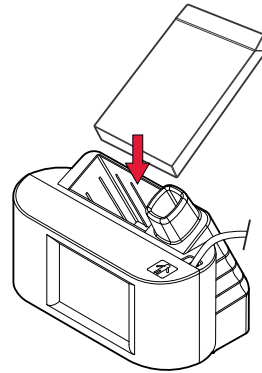
1c.



Assemble the mobile stand according to the manufacturer's directions. Using the three thumb screws, secure the rear panel of the BP device to the stand.

Assembling the Temp Module for Use

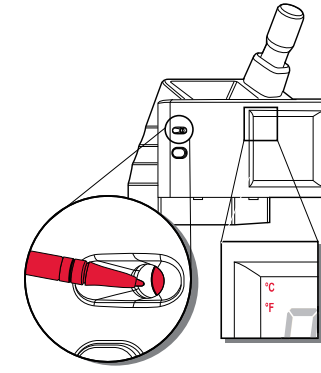
2



Place the probe cover box into the holder.

Changing the Unit of Temp Measurement

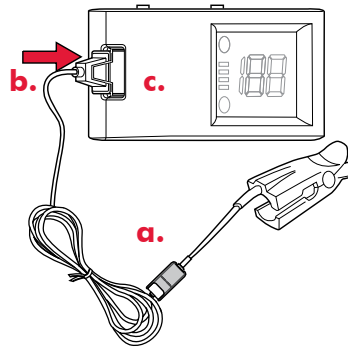
5



Using the end of a paper clip or similar tool, press the recessed button on the temp module. The icon for the selected unit is displayed.

Connecting the SpO₂ Sensor

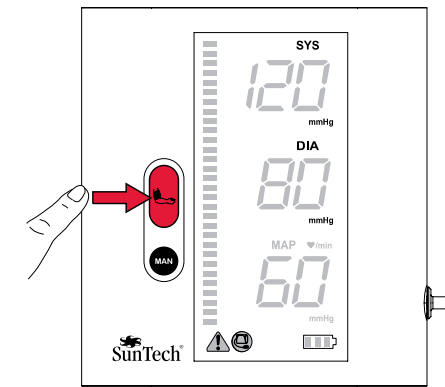
3



a. Connect the sensor to the extension cable.
b. Flip the retention clip forward, then connect the cable to the device.
c. Finally, push the clip backward over the SpO₂ connector to hold the connector in the device.

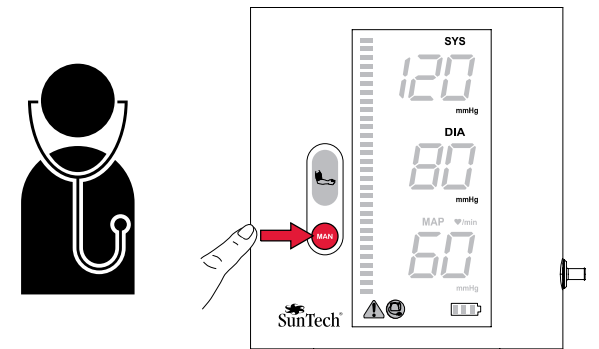
Measuring Blood Pressure Automatically

6



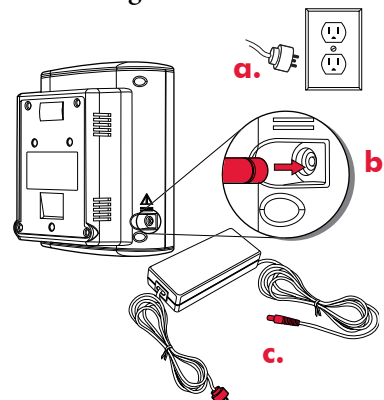
Measuring Blood Pressure Manually

7



Connecting Power

4

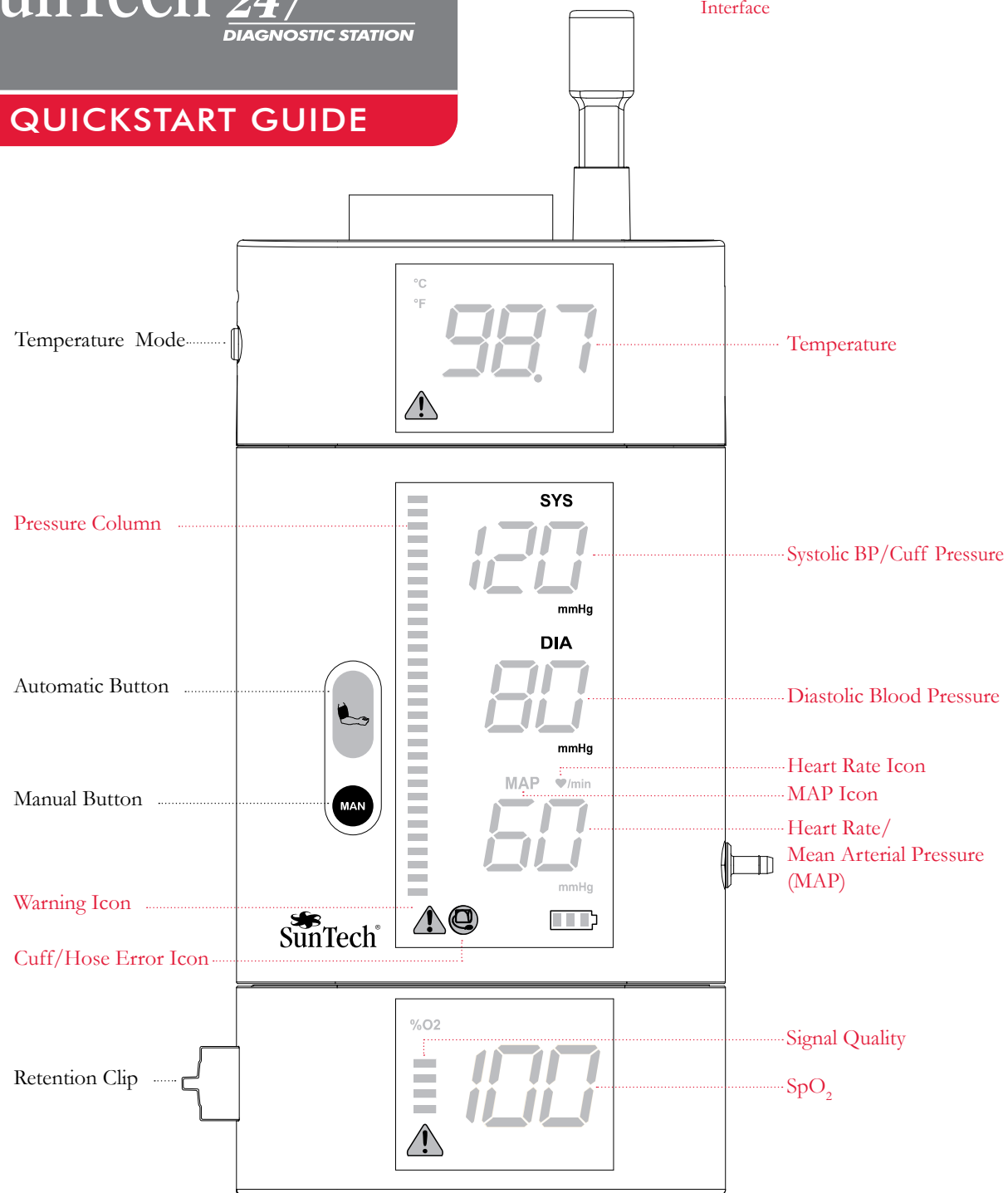


a. Must charge unit before first use.
b. Connect the power supply to the BP module.
c. Connect the power supply to an AC main power source. The device will turn on automatically. Before using the device, fully charge the battery for eight hours.

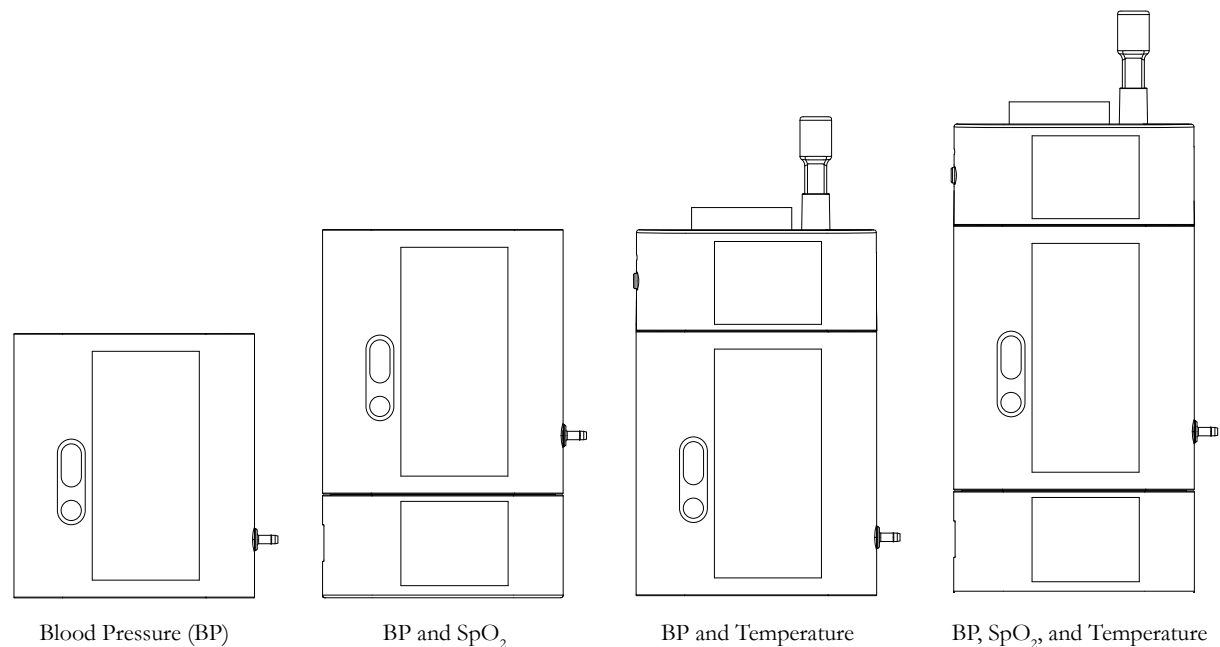
QUICKSTART GUIDE

Bird's Eye View

Key: Hardware
Interface



Versions



Contents & Accessories

