

# Tango M2 Interface Notes

## Cardinal Health Oxycon/MasterScreen CPX/Ergo with Jaeger JLAB (v. 5.21 or higher)

To setup Tango M2 with your JLAB, simply follow the directions below.

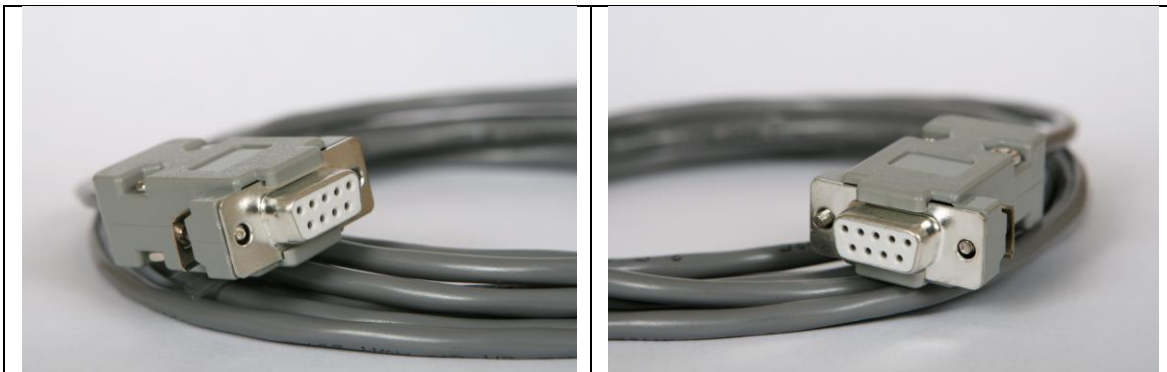
**\*Note – a Tango M2 with ECG is required for this setup.**

### 1. Verify Correct RS-232 and Patient Cables

- **RS-232 Cable** – used to communicate with your JLAB. This cable enables the JLAB to prompt Tango M2 when it needs a BP measurement, and allows the Tango M2 BP reading to be transferred to the JLAB display.
  - SunTech Part Number = 91-0013-01 OR Jaegar Part Number = 918263
  - Connection Ends:

**Jaegar System Connection**  
**9 pin female**

**Tango M2 Connection**  
**9 pin female**



- **Patient Cable** – ECG cable (3 leads) that will provide the ECG signal from the patient to the Tango M2.
  - SunTech Part Number = 91-0004-00 OR Jaegar Part Number = 982113



## Tango M2 Monitor



### 2. Connect the RS-232 Cable

From: the RS-232 connection on the rear panel of the Tango M2.

To: the COM port on the back of the computer. Note which COM port the RS-232 is inserted into (you will need this information for Step 5.e.). If all of the COM ports are occupied, an USB to RS-232 converter can be used.

### 3. Connect the Patient Cable

From: Tango M2 Internal ECG connection

To: the patient.

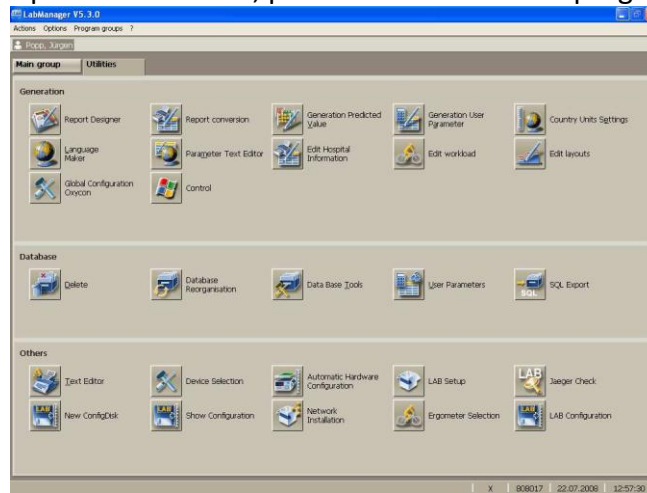
### 4. Tango M2 Monitor Setup

- When the Measurement View screen is displayed, press the **SELECT** button once. This will bring up the **MAIN MENU** screen.
- Using the UP or DOWN arrows, highlight **MONITOR SET UP** and press the **SELECT** button.
- Using the UP or DOWN arrows, highlight **STRESS SYSTEM** and press the **SELECT** button.
- Using the UP or DOWN arrows, scroll through the list until **CUSTOM** is highlighted and press the **SELECT** button to confirm the choice.
- With **Protocol** highlighted, press the **SELECT** button.
- Using the UP or DOWN arrows, scroll through the list until **SUNTECH** is highlighted and press the **SELECT** button to confirm the choice.
- Press the DOWN arrow to highlight **ECG Trigger**, and press the **SELECT** button.
- Using the UP or DOWN arrows, scroll through the list until **INTERNAL** is highlighted and press the **SELECT** button to confirm the choice.

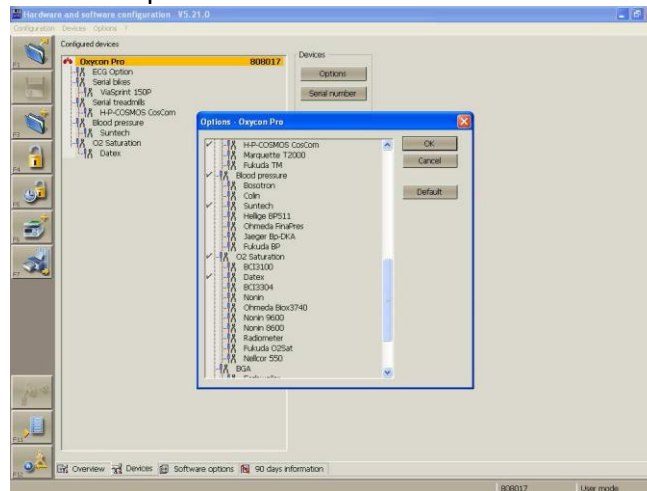
- i. Using the UP or DOWN arrows, select **EXIT** twice to return to the operating screen.

## 5. Jaeger JLAB 5.21 Setup

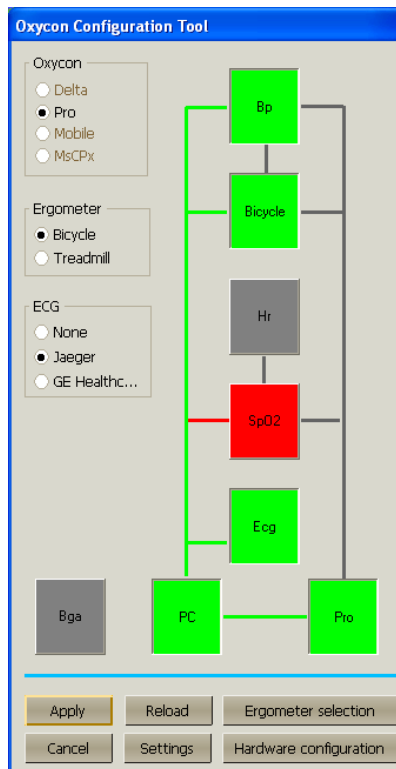
- a. Click on **“Utilities”**, enter password **“abcd”**, press return and select program **“Lab Configuration”**.



- b. Click on **“devices”** and then on **“Options”**.



- c. Click on **“SunTech”** and **“OK”**. Click on **“F12”** to close the program and select **“Yes”** to save configuration in your local database.
- d. In the next window, you can click **“No”** to not save on an additional source.
- e. An automatic hardware configuration check will start. If the blood pressure device hardware is found close, close the program with **“F12”**.
- f. Click a second time on **“Utilities”**, enter password **“abcd”**, press return and select program **“Global Configuration Oxycon”**.



g. Click on the connection line from PC to BP (blood pressure). Click on **“Apply”** and **“Close”**.

## FAQs for Tango M2

### **Q. The Tango M2 displays a Status Message. What does it mean and what do I do?**

**A.** See the eLibrary within your Tango M2 for quick troubleshooting tips. You can find the eLibrary under the Main Menu; select Monitor Setup → E-Library → Status Messages. You can also look in the Tango M2 User Manual under the *Status Messages & Alarms* section for details on each Status Message and solution.

### **Q. The Tango M2 monitor returns a result of 0/0 after blood pressure (BP) measurements. What do I need to do to get a BP reading?**

**A.** There are certain noisy conditions where the Tango M2 cannot accurately measure BP. When the Tango M2 encounters these situations, it returns a reading of 0/0. Microphone placement is critical for reliable operation of the Tango M2; there are many places to find cuff placement help.

- a. See the eLibrary within your Tango M2 for quick cuff placement tutorials. You can find the eLibrary under the Main Menu; select Monitor Setup → E-Library → Tutorials.
- b. Look in the Tango M2 User Manual under the *Using Tango M2 during a Stress Test* section for details on each type of cuff; the Orbit-K and the Single Patient Use (SPU) kit.
- c. Follow the instructions in the **Cuff Tutorial** (located on the SunTech Medical website under Support → Customer Technical Support → Video Tutorials) for correct microphone placement.

### **Q. Can I use a heart rate or blood pressure simulator to test whether the Tango M2 is working correctly with my stress system?**

**A.** You cannot use a heart rate or blood pressure simulator to test whether the Tango M2 is working with your stress system. The Tango M2 monitor requires that the ECG signal and the Korotkoff sounds, collected by the microphone in the cuff, originate from the same source, meaning the patient.

**Q. How can I adjust the brightness of the Tango M2 display?**

**A.** You can adjust the contrast of the Tango M2 display by following these steps:

1. When the operating screen is displayed, press the **SELECT** button once. This will bring up the **Main Menu** screen.
2. Using the UP or DOWN arrows, highlight **Monitor Setup** and press the **SELECT** button.
3. Using the UP or DOWN arrows, highlight **Brightness** and press the **SELECT** button.
4. Using the UP or DOWN arrows, modify the contrast of the screen. When you are finished, and press the **SELECT** button to confirm the choice.
5. Using the UP or DOWN arrows, select **EXIT** twice to return to the operating screen.

**Q. How can I get MAP on my Tango M2?**

**A.** Register your Tango M2 Monitor online or through mail to receive MAP as a function on your Tango M2 monitor. Please note that due to FDA Regulations MAP is not available to the United States market.

On the web go to SunTechMed.com → Support → Sales Support → Product Registration

**Q. How do I clean the Orbit-K cuff after a stress test?**

**A.** You can do either of the following:

1. Use a medical grade mild disinfectant wipe on the cuff or spray a cleaning solution onto a cloth and wipe the cuff. Afterwards, lay flat or line dry.
2. Remove the bladder and microphone from the outer shell of the Orbit-K cuff. Machine wash the shell in warm water with a mild detergent (50-140°F or 10-60°C). Lay flat or line dry the cuff. Do not place the cuff in a dryer.

**Q. My Tango M2 displays a message, “Please VERIFY CALIBRATION” or “Equipment Maintenance and Calibration Required.” What do I do?**

**A.** Verification of Pressure Calibration is required every year to maintain the accuracy of the Tango M2’s BP readings. You will need to contact your local SunTech Medical Service Center for help. In addition, the following items will be needed to verify calibration.

**Equipment Required:**

1. Calibrated electronic manometer or equivalent.
2. 500mL volume or the Orbit-K Adult Plus cuff wrapped around something that will not break or crush (no glass).
3. Hand Inflation Bulb with bleed valve.
4. Tubing, Tee pieces, and miscellaneous connectors or you can order the T-Tube Kit (SunTech Part # 98-0030-00).

**Service Centers:**

For customers in the Americas

SunTech Medical, Inc.

507 Airport Boulevard

Suite 117

Morrisville, NC 27560-8200

USA

Phone: +1.919.654.2300

+1.800.421.8626 (toll free within US)

Fax: +1.919.654.2301

Email: [CustomerService@SunTechMed.com](mailto:CustomerService@SunTechMed.com)

For customers in Europe, the Middle East, Africa, Asia, and the Pacific

SunTech Medical, Ltd.

Oakfield Industrial Estate

Eynsham, Oxfordshire OX29 4TS UK

England

Phone: +44 (0) 1865.884.234

Fax: +44 (0) 1865.884.235

Email: [CustomerService@SunTechMed.com](mailto:CustomerService@SunTechMed.com)