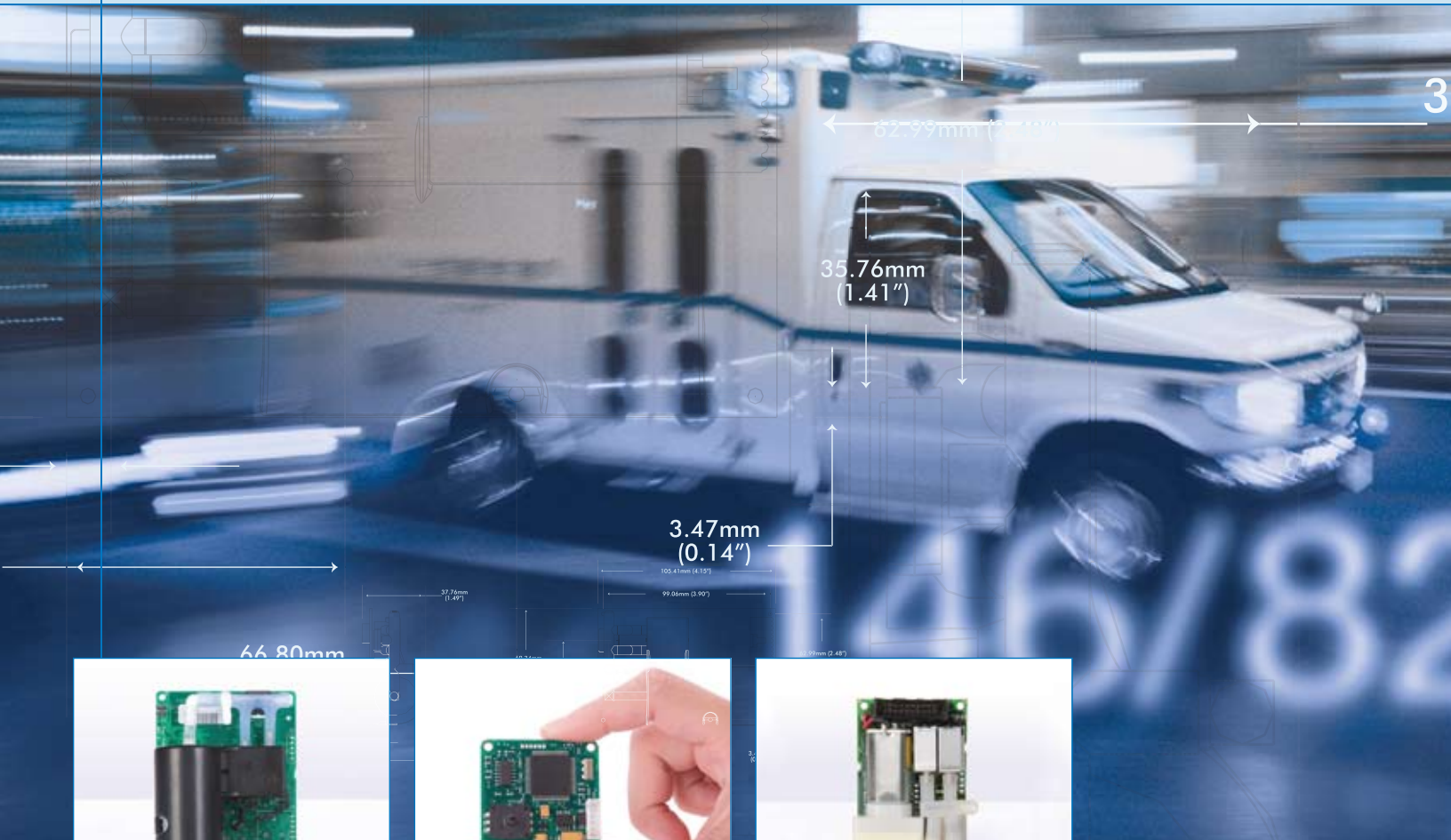


OEM Non-Invasive
Blood Pressure Technologies


SunTech *Advantage*TM
OEM NIBP TECHNOLOGIES

Reliable OEM Blood Pressure Solutions

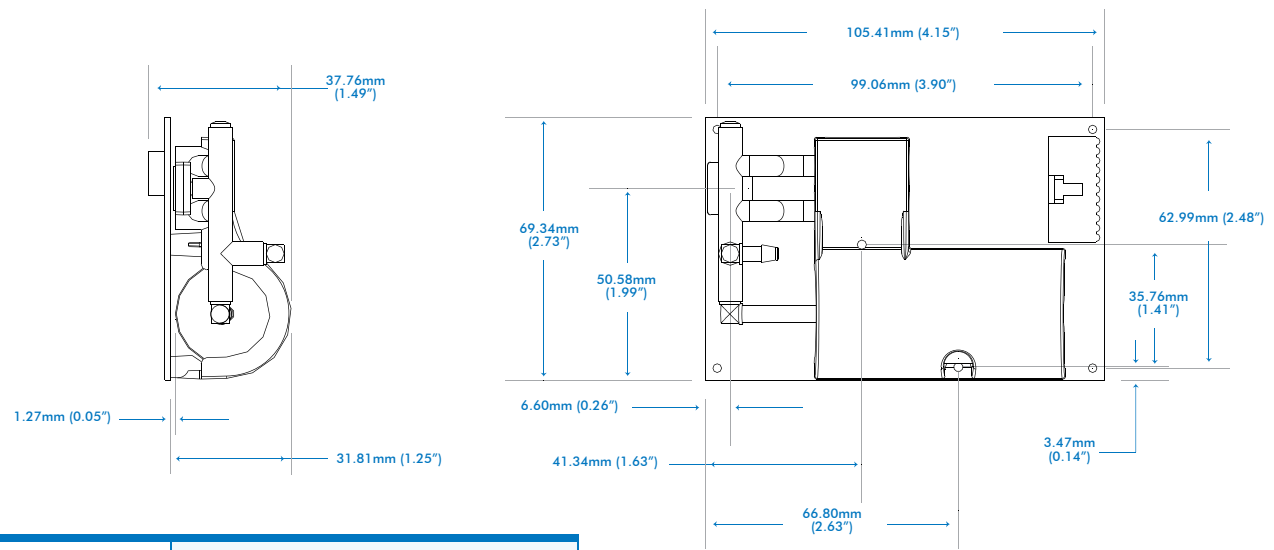


+ Cuffs and Accessories Designed
for Specific Clinical Applications

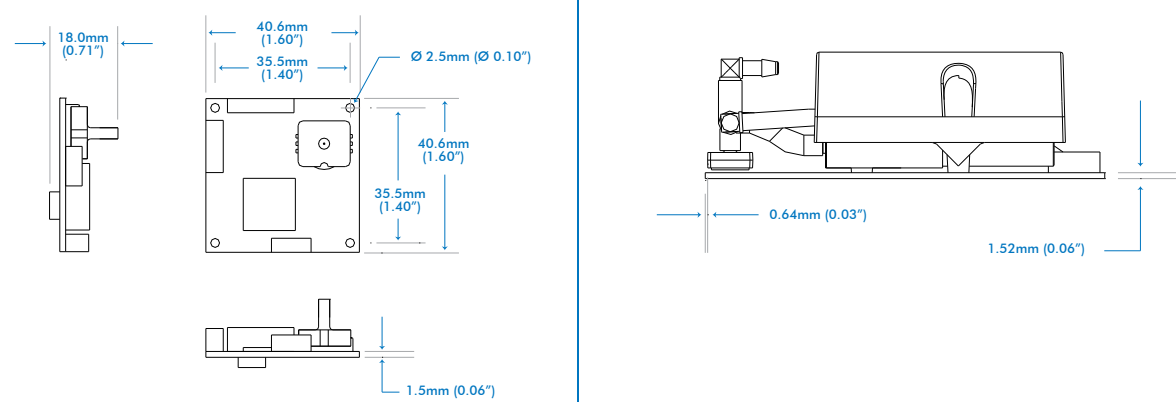
+ Full Service Support for Technical,
Regulatory, and Clinical Issues

Which OEM Platform Fits Your Needs?

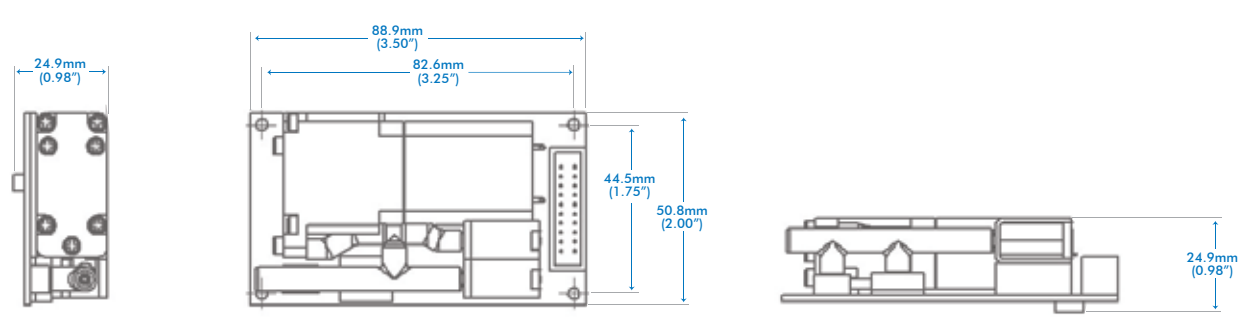
Advantage 2.0



Advantage Mini



Advantage A+



Which Customizations Does Your Advantage Solution Need?

BP Cuffs



All Purpose Cuff (APC)

Ranging from Infant to Thigh, our All Purpose BP Cuff is a great choice for general BP measurement and can be used in the widest variety of clinical applications. These color-coded cuffs are manufactured with high quality nylon, providing a combination of comfort and durability.

Disposable Cuff

Our new line of disposable blood pressure cuffs have a tapered end for enhanced patient comfort and external and internal range indicators to ensure accurate fit. This unique approach makes SunTech Medical disposable cuffs the easy choice to meet your infection control requirements at an exceptional value.

Eclipse™

The Eclipse D-Ring BP cuffs have unique design features that simplify cuff position and significantly reduce the chance of improper use. These nylon cuffs are perfect for self-application environments such as in the home, but work equally as well in hospitals and clinics. The Adult Plus and Large Adult sizes offer a gentle curve to provide a contour fit that helps the cuff stay in place.

Cuff Connectors



	Female Quick Connect	Male Quick Connect	Threaded (Screw)	Female Slip Luer (Plastic)	Male Bayonet (Metal)	Male Bayonet (Plastic)	Male Slip Luer (Metal)	Male Slip Luer (Plastic)
All Purpose Cuff (APC)	★	•	•	•	•	•	•	•
Disposable Cuff	★		•			•		
Eclipse	★		•					
Orbit	★							

★ Recommended configuration

Recommended Patient Hose Offering

Tube	Length
85 Shore A black polyurethane 5/32" (4 mm) ID	Selection between 1–3m; 3m required for neonatal algorithm
80 Shore A gray polyurethane 1/8" (3.2 mm) ID	Selection between 1–3m; 3m required for neonatal algorithm

CLINICAL & REGULATORY EXPERTISE

How Does SunTech Medical Complete Your NIBP Solution?

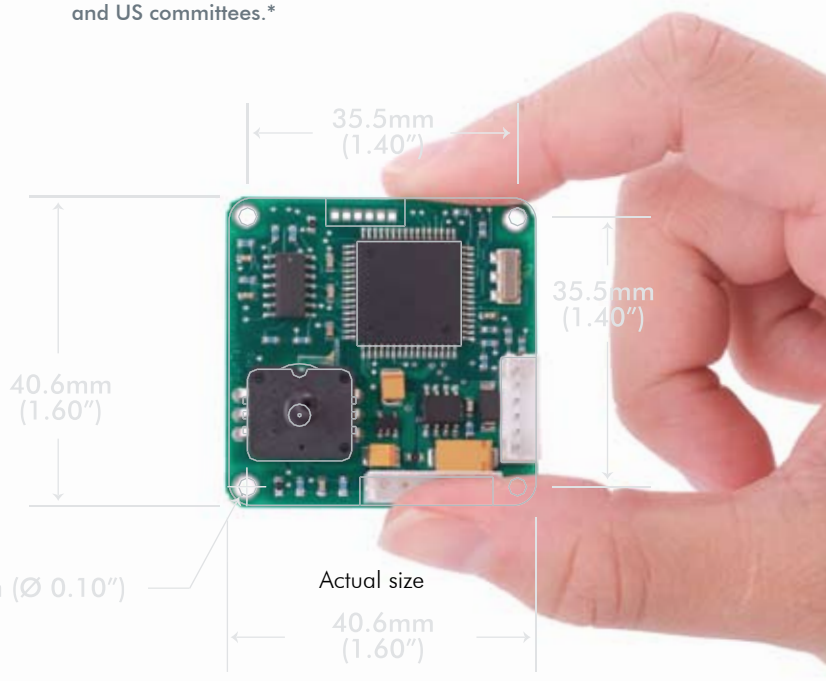
- + Supplying safety & regulatory documentation for FDA and CE, as well as other countries including Canada, India, and South Korea
- + Supplying clinical support & testing services
- + Supplying expert knowledge on BP through resources like blog.SunTechMed.com
- + Helping with maintenance and support issues with NIBP
- + Providing advice and guidance for clinical and regulatory issues for Class II devices. SunTech Medical contributes to current medical device and blood pressure standards with representatives on both international and US committees.*

Full-Service Provider

SunTech Medical works with you through the product development process to help you get your product to market in a minimum amount of time and with minimum cost. This collaborative process includes the following steps:

1. *Needs Assessment: formulate the right set of NIBP features needed to not only work accurately, reliably, and safely in your clinical application but also achieve the business goals of your product.*
2. *Design Cycle: ease the integration of NIBP in your device with technical advice and know-how.*
3. *Pre-production: transition your design to production seamlessly with the technical, regulatory, and clinical documentation to bring your product to market.*
4. *Production: control all aspects of your NIBP solution with your unique part number which reliably guarantees that you always receive the correct product for your device.*
5. *Service: benefit from advice and support for both technical and clinical issues experienced in the field.*

It takes a dedicated team to bring successful products to market. For over twenty years, SunTech Medical has been the preeminent supplier of clinical-grade blood pressure monitoring products and technologies. Over 75 companies trust SunTech Medical's OEM non-invasive blood pressure solutions for their patient monitoring needs. Partner with SunTech Medical and explore the benefits of this experience.



* IEC/ISO 80601-2-30, ISO/IEC 81060-2, ISO/IEC 81060-01, and AAMI SP10

Contents of Development Kit

- + NIBP Module
- + Range of connectors
- + Range of tubing
- + Range of cuffs (APC Adult, Orbit Adult, Eclipse Adult, Neonate Disposable)
- + Communications cables
- + Manifold
- + Development Kit CD
- + Brochures & white papers
- + Operations Manual

Sales@SunTechMed.com

To request an Advantage Development Kit, please contact your SunTech Medical Sales Representative.



SunTech Medical, Inc.
507 Airport Boulevard, Suite 117
Morrisville, NC 27560-8200 USA
Tel: +1.919.654.2300
1.800.421.8626
Fax: +1.919.654.2301

www.SunTechMed.com

SunTech Medical, Ltd.
Oakfield Estate
Eynsham, Oxfordshire
England
Tel: + 44 (0) 1865.884.234
Fax: + 44 (0) 1865.884.235

www.SunTechMed.com

SunTech Medical, Ltd.
Level 19, Two IFC
8, Finance Street, Central
Hong Kong
Tel: +852.2251.1949
Fax: +852.2251.1950

www.CN.SunTechMed.com

SunTech Medical, Ltd.
2/F of Building A, Jinxiongda Technology Park
Guanlan, Bao'an District Shenzhen, 518110, PRC
Tel: +86-755-2958 8810
+86-755-29588986 (Sales)
+86-755-29588665 (Service)
Fax: +86-755-2958 8829

www.CN.SunTechMed.com